

## FBP100 Bracket 100 kg

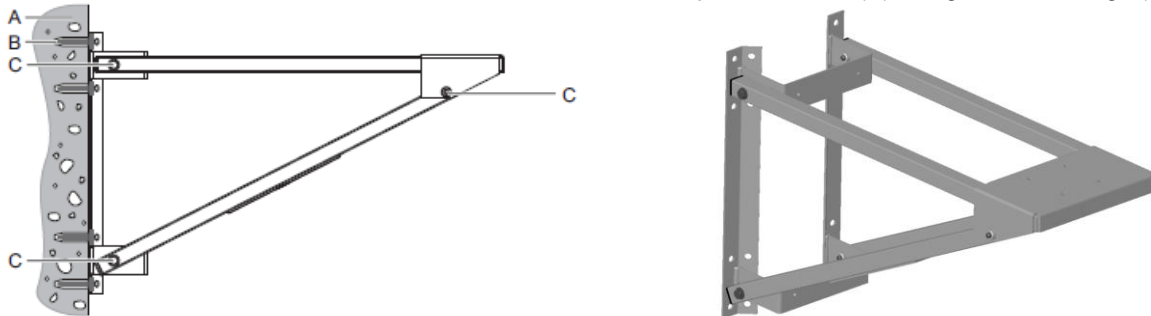
This heavy-duty bracket is a flat-packed bracket suitable for pan and tilt camera assemblies or fixed cameras when used with a swivel mount (CAHA1040).

### Installation

The wall mount section of the bracket is angled at 45° to allow it to be mounted either perpendicular to a flat wall or on the corner of a building.

The wall mount section has 16 holes of 9 mm diameter – 8 are used for fixing to a flat wall and the other 8 are used for corner mounting.

1. Secure the wall mount section of the bracket to the prime surface (A) using suitable fixings (B).



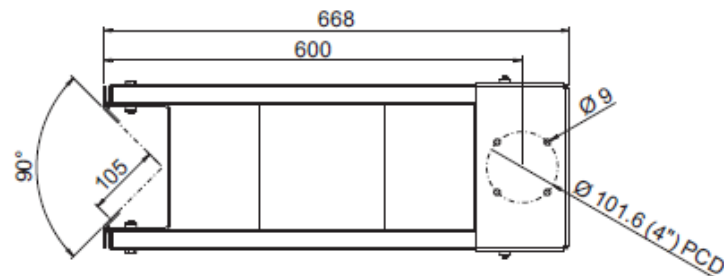
2. Join the three sections of the assembly together using the 6 supplied M8x40 stainless steel bolts and washers supplied in the kit (C), placing a washer under the head of each bolt and screwing the bolt into the captive nut.
3. Tighten all the bolts using a 13 mm socket or spanner.
4. Fit the chosen equipment to the bracket as described in the relevant installation manual.

### Technical Data

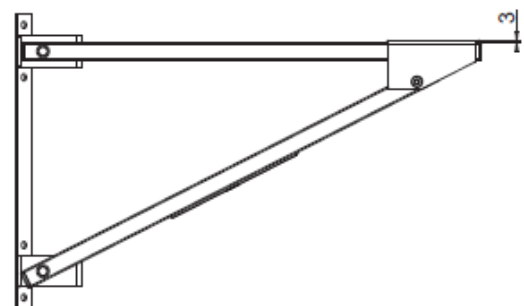
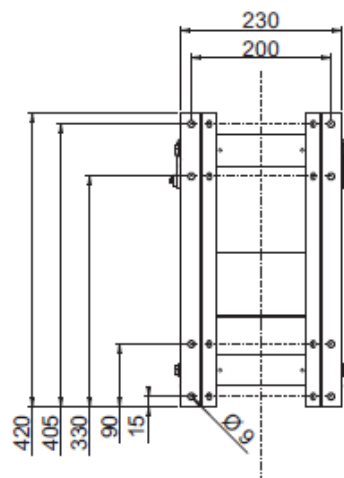
Material	Tubular square section: mild steel	Weight	8kg
Finish	Zinc Plate powder coated RAL9006 (white aluminium)	Maximum load	100kg

### Dimensions (All dimensions in mm)

**Note:** Ensure the chosen fasteners and fastening method are suitable for the application and the mounting substrate. For CCTV installations only.



The bracket should be installed by competent, qualified personnel in accordance with the latest national standards.



### **MOLYNX Systems.**

9 - 10 Wernddu Court,  
Caerphilly Business Park,  
Caerphilly  
CF83 3SG

Tel: 02921 660 234

Williams Electronics Limited trading as MOLYNX Systems

[www.w-e.uk](http://www.w-e.uk) [sales@w-e.uk](mailto:sales@w-e.uk)