



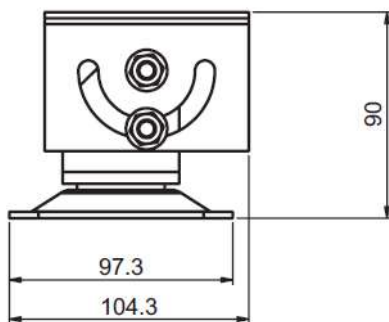
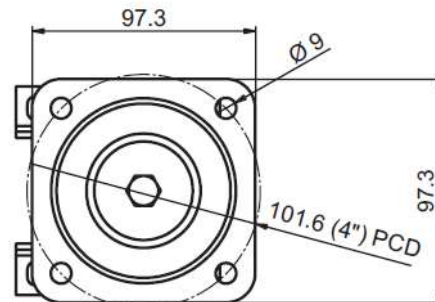
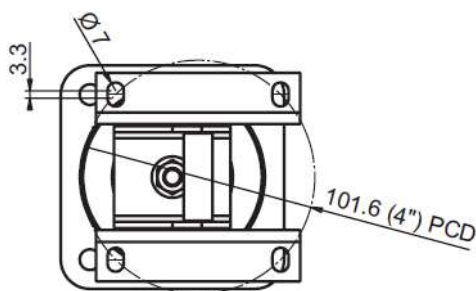
Type CAHA1040

Description The swivel mount is an adjustable mounting designed to support a range of CCTV surveillance camera housings.

Functions Material: Stainless steel
Finish: Natural
Maximum load: 40 kg

Installation

1. Fit the swivel mount to the chosen substrate or bracket. M8 fasteners are recommended.
2. Fit the camera housing to the swivel mount using suitable fasteners.
3. Loosen the two bolts on the swivel mount pivot and move the camera to the required position.
4. Tighten the two bolts on the swivel mount pivot to secure the camera in position.



All dimensions in mm

Notes and cautions

5. These brackets are designed for use with CCTV installations only.
6. We recommend that this unit is installed in accordance with the latest local and national standards.
7. Ensure that the load rating is not exceeded.
8. Ensure that the unit is properly and securely mounted.
9. Ensure that the surface to which the bracket is mounted is solid and that there is no risk of crumbling brick or mortar.
10. Ensure that all fixing bolts and securing bolts are tight and have suitable anti-vibration fastenings if required

Before attempting to connect or operate this product, please read these instructions completely