

MOLYNX SYSTEMS



Solaris™ Day/night High-Speed Dome Camera with 26x Optical Zoom

CCDS1425-DNX

- High-speed dome camera
- High-resolution 1/4" Day/Night camera (SONY EX-VIEW CCD)
- High sensitivity up to 0.01 lux in night mode
- 26x optical zoom
- 12x digital zoom
- Tilt/pan speed up to 360 °/s
- Zoom proportional speed control
- Multi-protocol implementation
- Installation-friendly using External Termination Unit XTU
- XTU with 7 alarm-inputs and tamper alarm

Solaris™ offers accuracy, speed, reliability and high quality images. With its unique split concept External Termination Unit (XTU) and camera Head Unit (HU), Solaris™ has proven to be the solution of choice for installers and end-users around the world. From shops to holiday resorts, hospitals to commercial premises, with perfect picture quality, Solaris™ ensures security is kept at its highest. These new developments in dome technology now bring you more features than ever before.

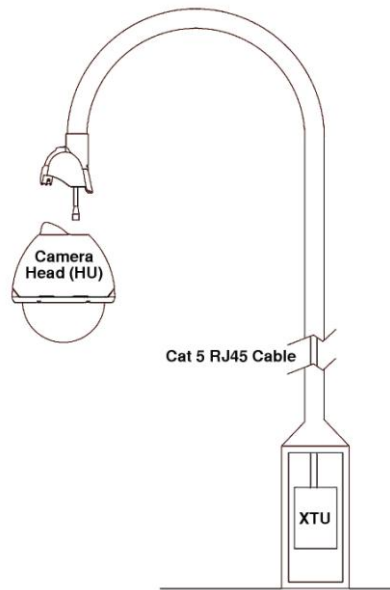
The new Solaris™ Day/Night high-speed dome CCDS1425-DNX includes a 26x optical zoom Day/Night camera with exceptional low-light performance. A mechanically removable IR-cut filter allows the dome camera to provide good color picture quality in the day mode and IR sensitive monochrome pictures in the night mode. The integrated 26x optical zoom enables the observation of large sceneries as well as recognition of the smallest details.

Williams Electronics Ltd.

Trading as MOLYNX Systems

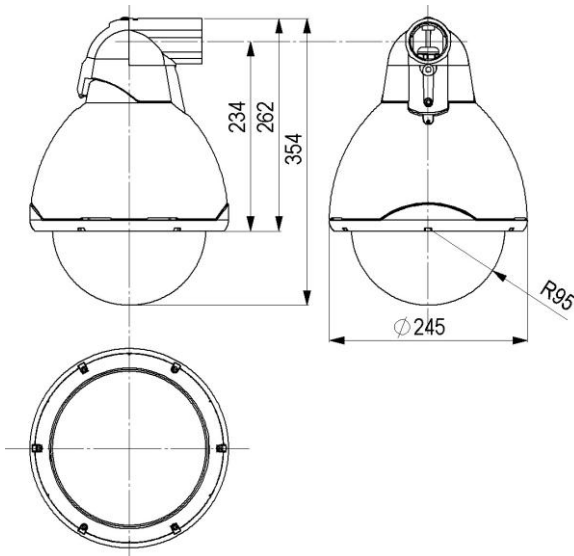
The Solaris™ Dome is very simple to install and commissioning is trouble-free thanks to the XTU. The XTU provides a weather and tamper proof housing for the PSU and all video, data, alarm and power connections to the dome. The Solaris™ HU is factory sealed. This means there is never any need to open it! Once in place, there is no requirement for high-level access. Therefore, there is no need for ladders or expensive access platforms!

Address, protocol and test settings are all configured via a menu driven LCD display in the XTU. There are no switch / button combinations to look up, work out or remember. Using the XTU you can also control Solaris™ and verify video on the LCD panel. The XTU comes with 10-m cable as standard, plus it can also be positioned up to 30 m away from the Dome Head Unit (HU) and up to 500 m from the Control Room. With the XTU, installation is simplified. Checking and fault finding can all be done at ground level.

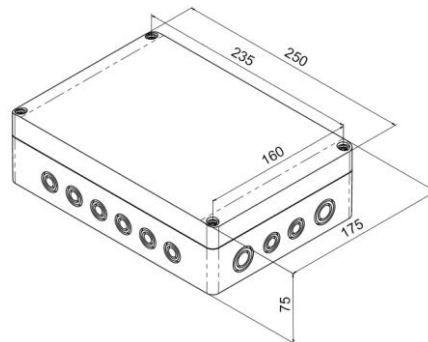


- Ease of installation with all external connections made at ground level via XTU
- Local XTU on-screen verification of video signal
- Set-up via user-friendly XTU LCD panel replacing conventional switches and jumpers
- All Solaris™ features are available when used with third party controllers or DVRs with limited functionality
- A single 'Cat 5' RJ45 cable is used to link to the XTU to the HU.

Dimensions [mm]



Dome Head Unit (HU)



External Termination Unit (XTU)

Technical data

Electrical	
Camera types	26x optical Day/Night (PAL): CCDS1425-DNX Also available 18x optical Colour (PAL): CCDS1425-ST 18x optical Day/Night (PAL): CCDS1425-DN 36x optical Day/Night (PAL): CCDS1425-DN36
Input voltage	XTU : 110 - 230 V AC (50/60 Hz, max. 1 A) Dome unit: 18 V DC, supplied from the XTU via the 'Cat 5' RJ45 cable
In-rush current XTU	40 / 20 A peak (110/230 V AC)
Plug Connections	Video: BNC coax Power: Screw terminal block C type (Coax): BNC D type (Twisted Pair): Screw terminal block Alarm, Relay & Photon: Screw terminal block
Contact rating (relay)	1.5 A (24 V DC)
Operational	
Pan speed	Manual: 0 – 90 °/s; preset: 360 °/s
Pan travel	360° continuous
Tilt speed	Manual: 0 – 90 °/s; preset: 360 °/s
Tilt travel	+10 to -100°
Presets	Max. 99 (Depending on protocol and controller)
Tours	32 positions, fully programmable for sequence, dwell and speed
Preset accuracy	0.3°
Control hardware	SIMATRIX NEO, SIMATRIX SYS/648/164 via CAC0103, CKA3210, CKA4820, SISTORE AX, CX, MX, SX, Visilynx V3i, Visilynx II, Visilynx 2+, 6000 series, 600 series variable speed
Protocols*	Molynx 'C' & 'D'(coax and rs485) , Siemens CCDA, Visilynx PCCon, Ernitec, Pelco-D, Pelco-P, Philips, Photon, VCL, Vicon, Videmech Universal
Video outputs	XTU: nominal (no gain) VBS 1.0 V _{pp} (sync negative)
Electromagnetic compatibility	Compliant with EMC directive 2004/108/EC
Alarm inputs	Opto-coupled (short to alarm com.)
Mechanical	
Material	Injection moulded polycarbonate (GE Lexan EXL9134)
Mounting	Wall/ceiling, corner, parapet, pole, recessed ceiling tile or pendant mount (pendant mount standard 1.5" BSP parallel)
Weight	Boxed 6.80 kg, XTU only (no cables) 1.50 kg, DOME UNIT only (no cables) 2.60 kg
Colour	Pure white RAL 9010
Bubble type	Clear
Application	Indoor or outdoor - all models
Environmental	
Degree of protection	IP67
Ambient temperature, operating	-10 to +40 °C (-20 °C after unit has been powered up for 3 hours)
Ambient temperature, storage	-20 to +60 °C

Camera module

Television standard	PAL, 2:1 interlace H: 15,625 Hz, V: 50 Hz
Image sensor	1/4" type IT CCD (EX View HAD)
Pixels	Effective (PAL): 430000
Horizontal resolution	480 TV lines
Minimum illumination	Colour: 0.05 lx, B/W: 0.01 lx
Signal/noise ratio	≥50 dB
Shutter speed	1/1 to 1/10000 s, 22 steps
White balance control	Auto / One Push
Gain control	Auto (-3 to 28 dB, 2 dB steps)
Zoom	12x digital
Lens	26x zoom 3.5 to 91 mm (F1.6 to F3.8)
Angle of view	Horizontal: 2.2° (tele) to 54.2° (wide)
Minimum object distance	Wide end: 320 mm Tele end: 1500 mm
Focus type	Manual/automatic

*) Note: 3rd party protocols may be subject to change without notice.

Details for ordering

Part no.	Designation	Weight
CCDS1425-ST	1/4" high-resolution dome, 24 privacy zones, 26x zoom, Colour/mono, clear bubble, IP67, supplied with 110 – 230 V AC XTU	6.80 kg
CCDS1425-DH	Dummy dome, IP67 (no camera or XTU)	2.00 kg

Accessories

Type	Designation	Weight
CCDS1425-PM	Ceiling pendant mount	3.00 kg
CCDS1415-FM	Recessed ceiling tile mount	2.00 kg
CCDS1425-WM	Wall mount	3,40 kg
CCDS1415-CMA	Corner mount adapter	5.00 kg
CCDS1415-BM	Parapet mount adapter	1.00 kg
CCDS1415-RTU	Remote termination unit (RTU)	1.30 kg

Spare parts

Type	Designation	Weight
CCDS1425-XTU	External Termination Unit (XTU)	2.00 kg
CCDS1415-BC	Clear bubble	1.00 kg
CCDS1415-BS	Smoked bubble	1.00 kg

Issued by
Williams Electronics Ltd.
Unit 9 – 10 Wernddu Court,
Caerphilly Business Park,
Caerphilly, CF83 3ED, UK

© 2016 Copyright by
Williams Electronics Ltd.
Data and design subject to change without notice.
Supply subject to availability.

www.w-e.co.uk

Document no. **A6V10229993**
Edition 01.06.2016